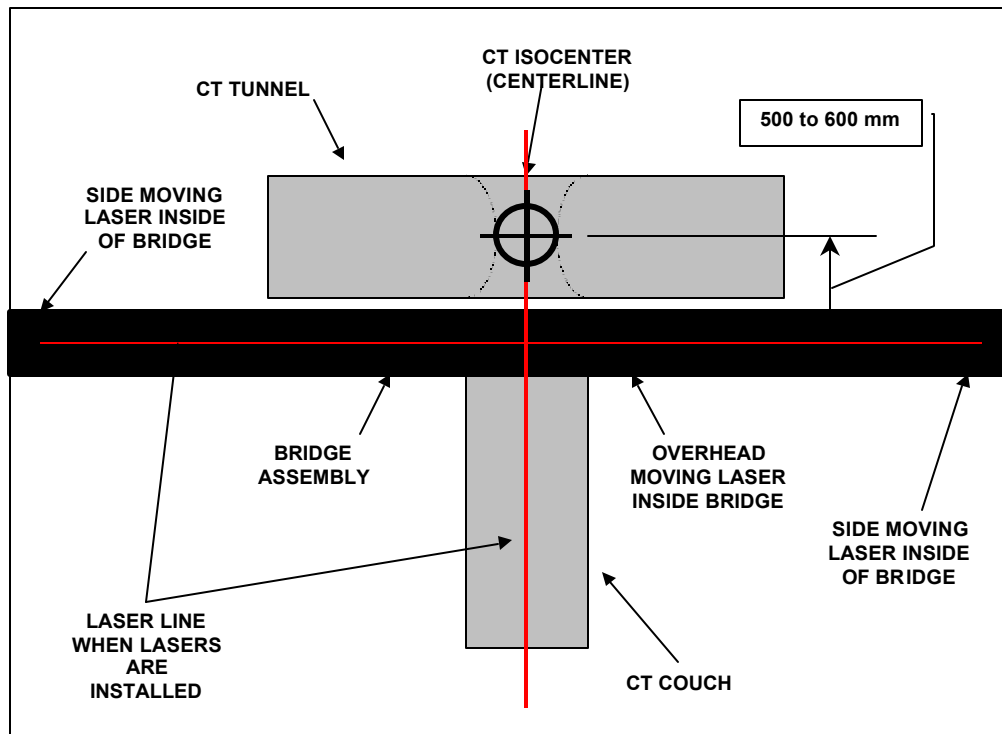


CT ROOM OVERVIEW

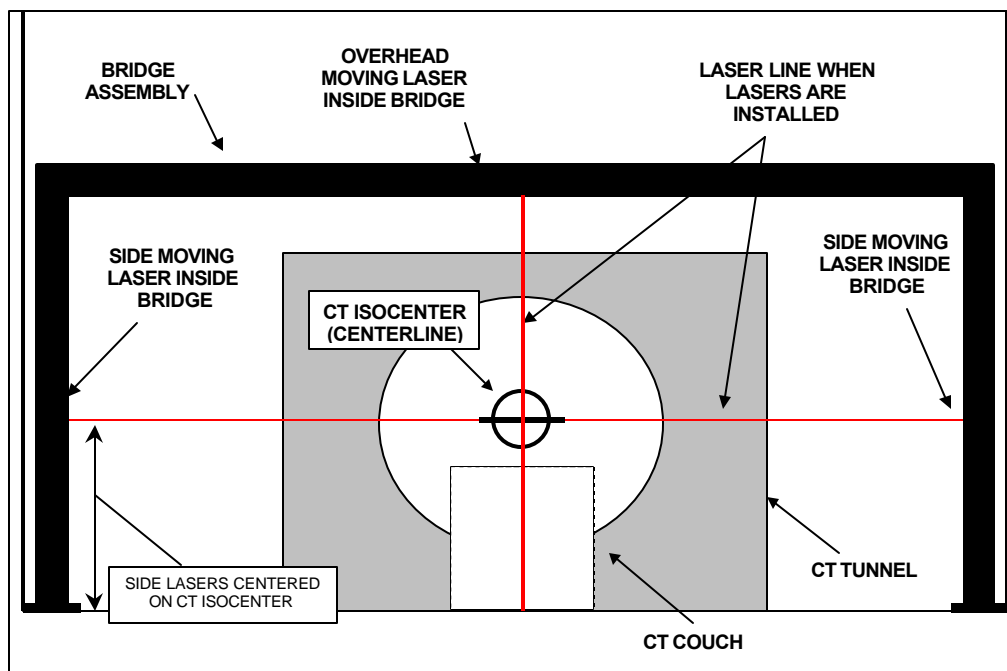
LAP LASER MODEL CT4-3 – BRIDGE OPTION

This option for the CT4-3 system consists of a free-standing “bridge” with all 3 lasers self-contained: 2 side moving “rail” lasers (one on each side) and 1 overhead moving “rail” laser. The bridge can be up to 5 meters (16.4 feet) in length and up to 2.8 meters (9.1 feet) in height.

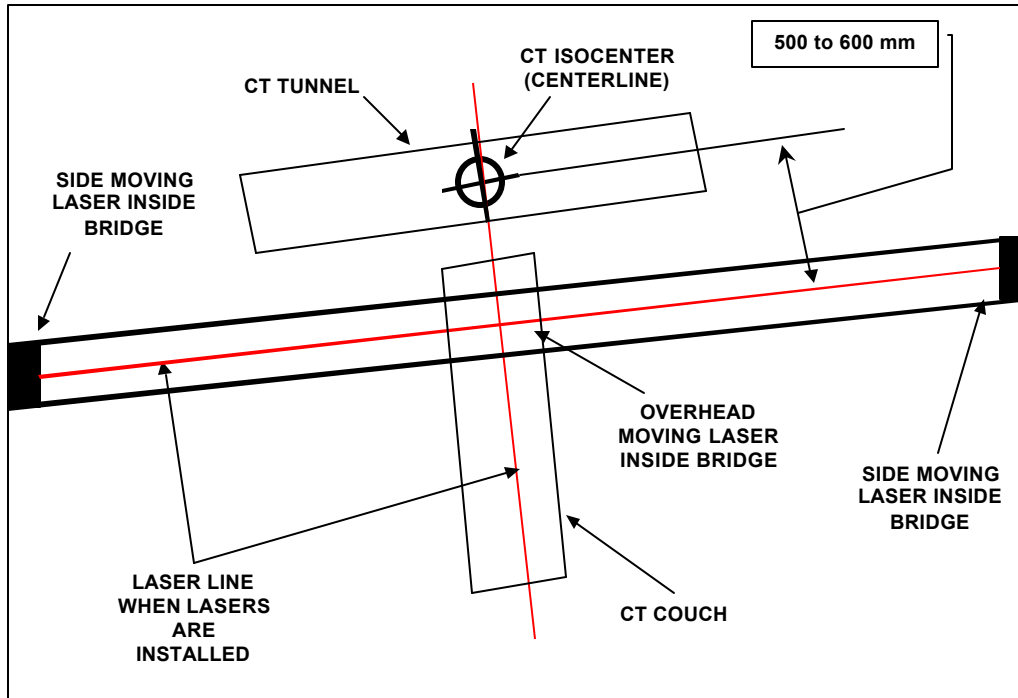
VIEW FROM ABOVE



VIEW LOOKING INTO CT TUNNEL FROM COUCH



FOR ROOMS WITH ANGLED CT SCANNERS

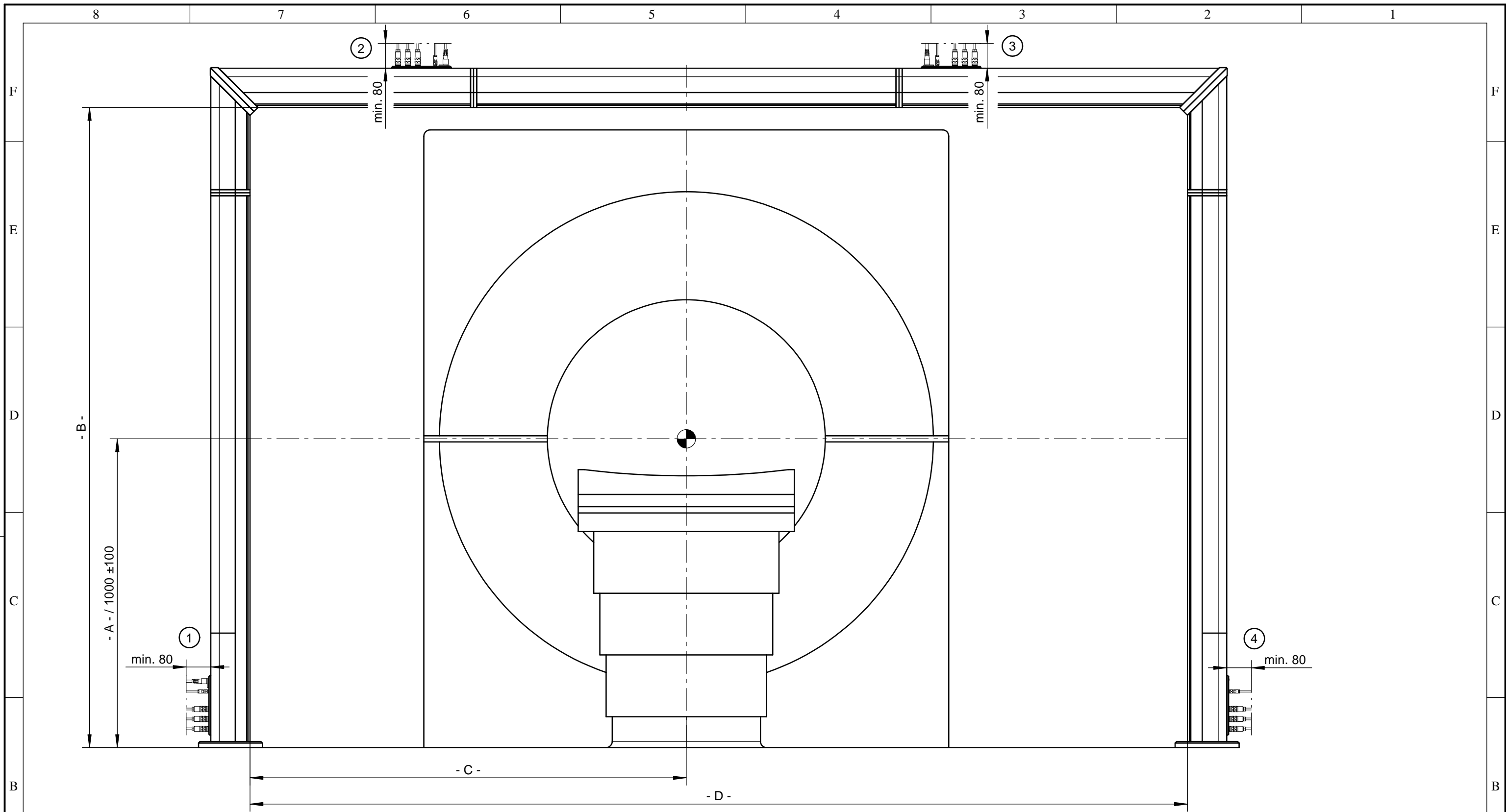


Power, Conduit & Network Requirements

Power: 120 Vac – 20A Duplex located on left side of bridge either on the adjacent wall or in the ceiling above left leg of bridge.

Conduit: 1" conduit from left side of bridge either on the adjacent wall or in the ceiling above left leg of bridge going to the control room.

Network: A network drop is required in the control room near the LAP PC for connectivity with the treatment planning system. _



LAP Standart :

A = 1000 mm
 B = 2475 mm
 C = 1300 mm
 D = 2600 mm

Stecker/Connector = Pos.: 2 & 3

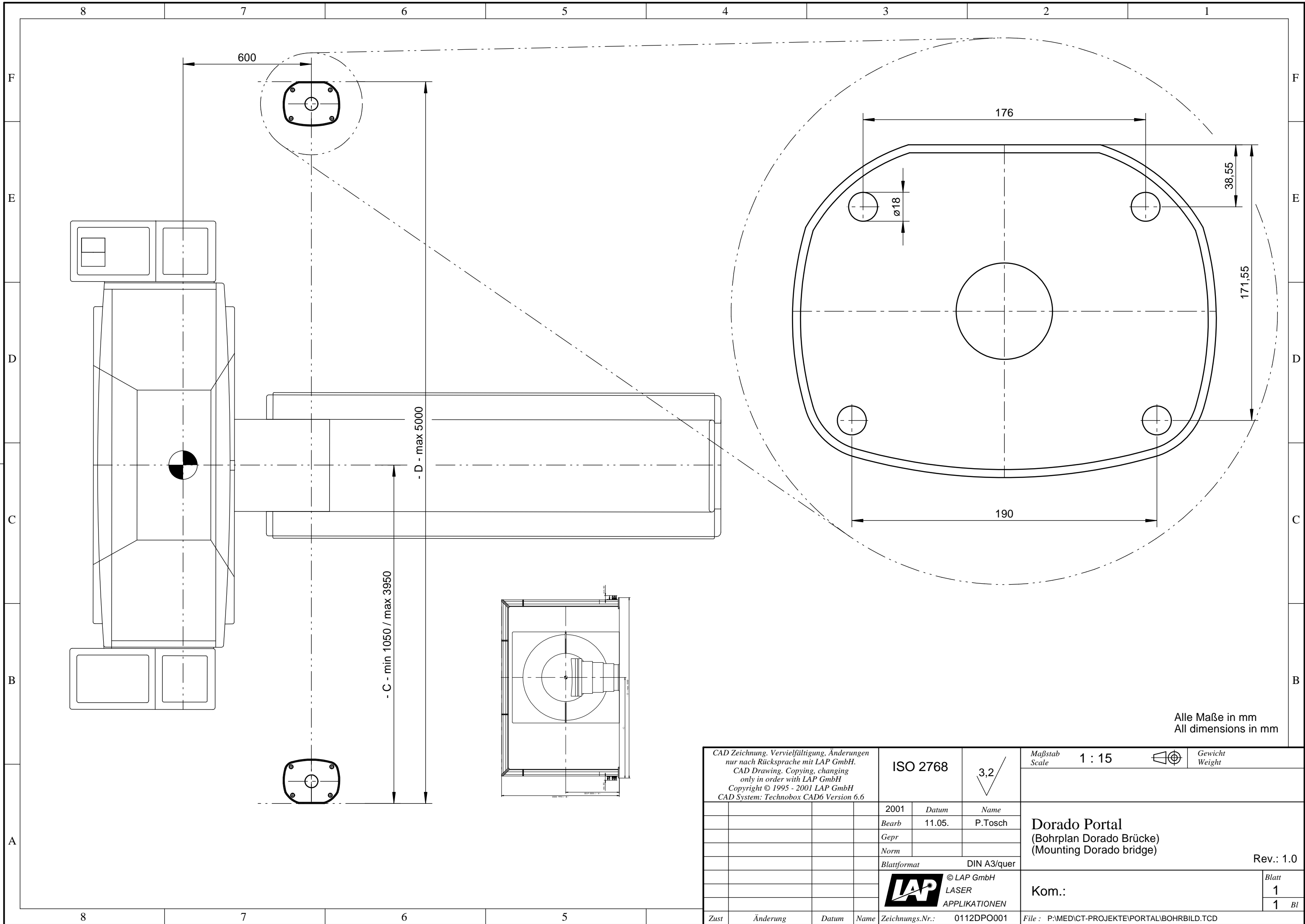
Customer requestet:

A = _____ mm min. 900 / max. 1100
 B = _____ mm min. 2150 / max. 3000
 C = _____ mm min. 950 / max. 3800
 D = _____ mm min. 2000 / max 4750

Stecker/Connector = Pos.: _____

Alle Maße in mm
 All dimensions in mm

CAD Zeichnung. Vervielfältigung, Änderungen nur nach Rücksprache mit LAP GmbH. CAD Drawing. Copying, changing only in order with LAP GmbH Copyright © 1995 - 2001 LAP GmbH CAD System: Technobox CAD6 Version 6.6				ISO 2768	3,2	Maßstab Scale 1 : 12	Gewicht Weight
						AlMgSi05	RAL 9006
				2003 Datum Name Bearb 26.09. P.Tosch Gepr Norm	DORADO - Brücke DORADO - Bridge		Rev.: 2.0
				Blattformat DIN A3/quer			Blatt 1 1 Bl
Zust	Änderung	Datum	Name	Zeichnungs.Nr.: 0109	File : P:\MEDICT-PROJEKTE\DORADO-PORTAL.TCD		



Alle Maße in mm
All dimensions in mm

CAD Zeichnung. Vervielfältigung, Änderungen nur nach Rücksprache mit LAP GmbH. CAD Drawing. Copying, changing only in order with LAP GmbH Copyright © 1995 - 2001 LAP GmbH CAD System: Technobox CAD6 Version 6.6				ISO 2768	3,2	Maßstab Scale 1 : 15		Gewicht Weight
				2001 Bearb Gepf Norm	Datum 11.05.	Name P.Tosch	Dorado Portal (Bohrplan Dorado Brücke) (Mounting Dorado bridge)	
				Blattformat DIN A3/quer				
						Kom.:	Blatt 1 1 Bl	
Zust	Änderung	Datum	Name	Zeichnungs.Nr.:	0112DPO001	File : P:\MEDICT-PROJEKTE\PORTAL\BOHRBILD.TCD		